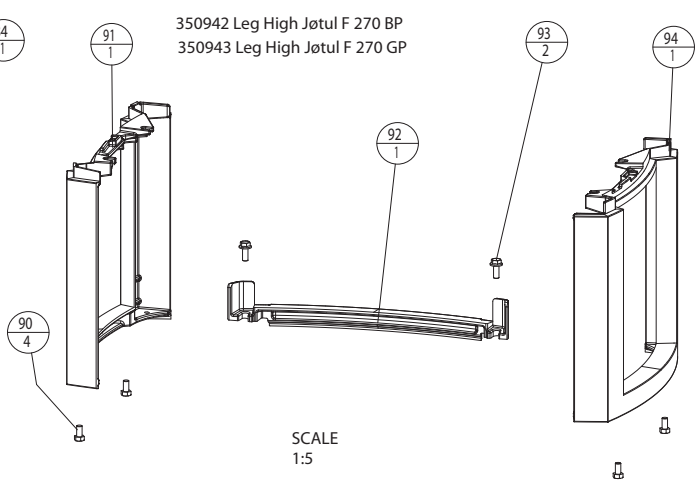
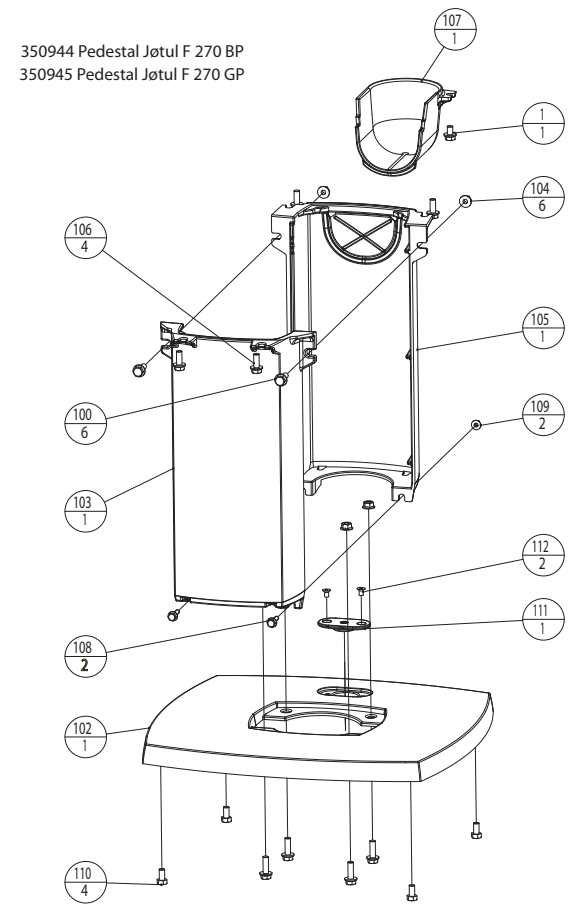


350940 Leg Low Jøtul F 270 BP
350941 Leg Low Jøtul F 270 GP

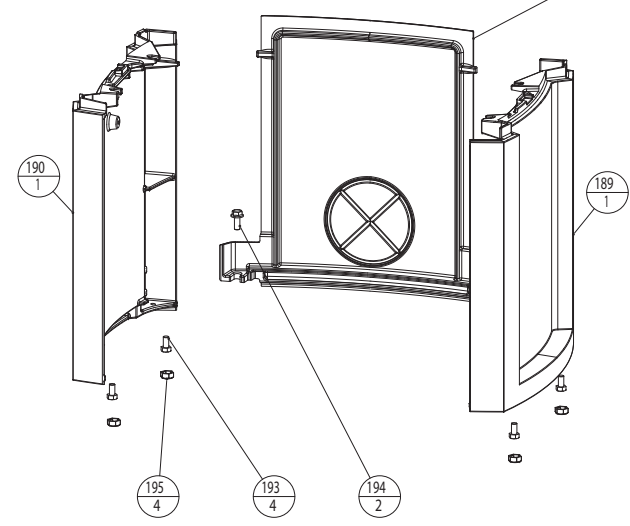
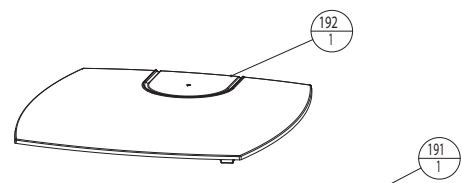


350942 Leg High Jøtul F 270 BP
350943 Leg High Jøtul F 270 GP

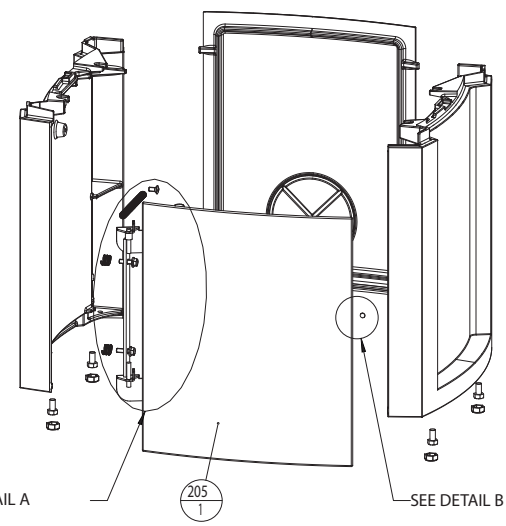
SCALE
1:5



350944 Pedestal Jøtul F 270 BP
350945 Pedestal Jøtul F 270 GP



351205 Cast Iron Base Jøtul F274 BP
351206 Cast Iron Base Jøtul F274 GP

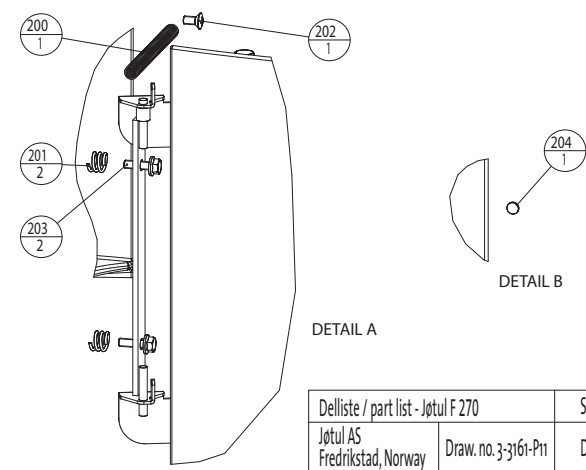


351190 Cast Iron Base with Door Jøtul F275 BP
351191 Cast Iron Base with Door Jøtul F275 GP

361003 Door Kit Jøtul F275

SEE DETAIL A

SEE DETAIL B

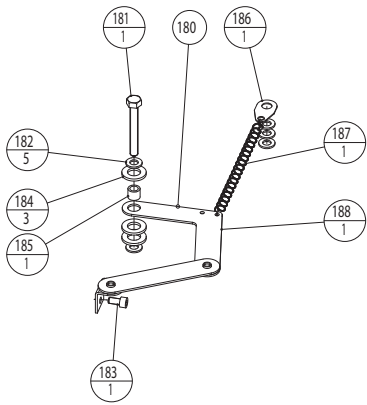


DETAIL A

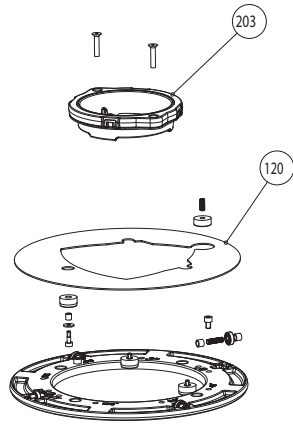
DETAIL B

Delliste / part list - Jøtul F 270		Sheet 2 of 3
Jøtul AS Fredrikstad, Norway	Draw. no. 3-3161-P11	Date: June 2011

351113 Self Closing Mechanism Jøtul F 270

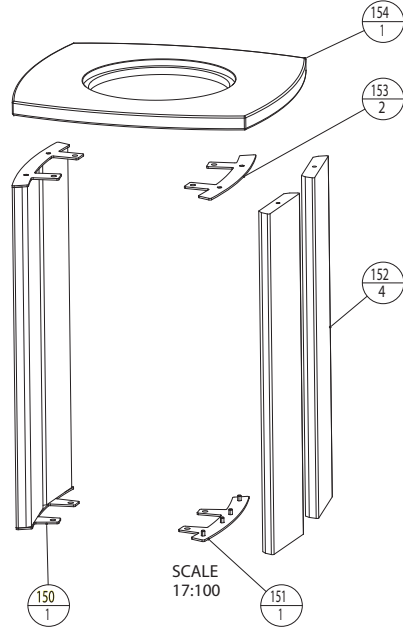


350997 Revolving pedestal Jøtul F 270 / F370

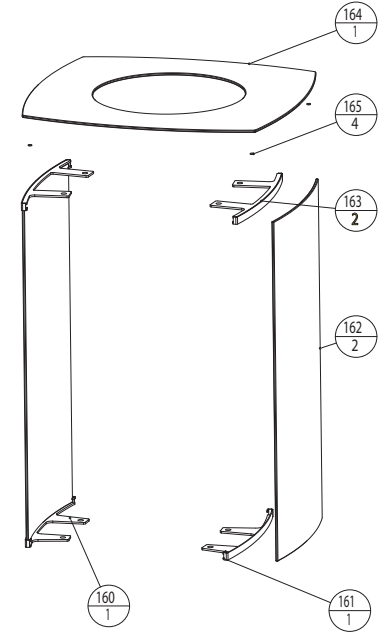


351143 Soap Stone Sides Jøtul F 270 BP
351144 Soap Stone Sides Jøtul F 270 GP

351142 Soap Stone Top n Jøtul F 270

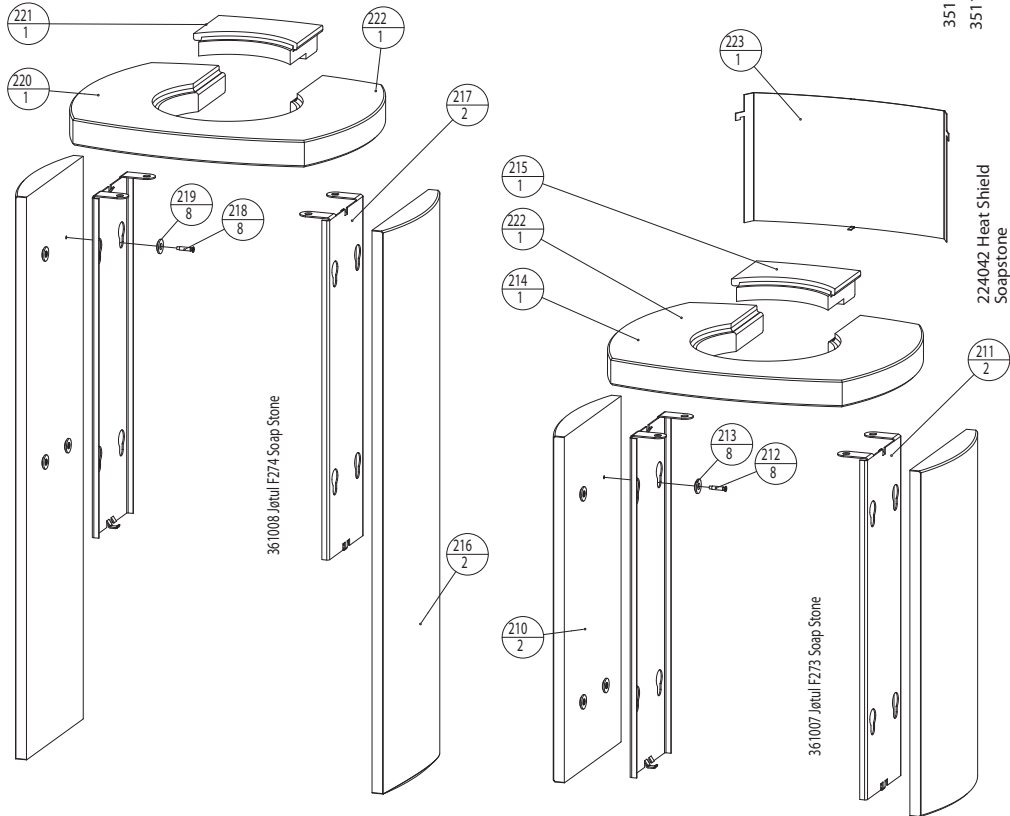


351137 Glass Decor Topp k Jøtul F 270



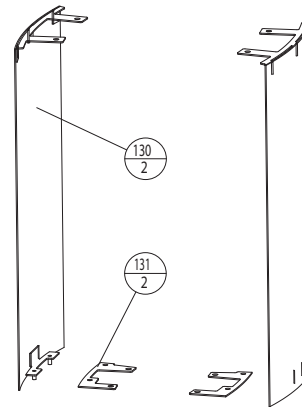
351138 Glass Decor Sides c Jøtul F 270 BP
351139 Glass Decor Sides c Jøtul F 270 GP

361009 Soapstone Top Complete Jøtul F 270



224042 Heat Shield Soapstone

350951 Steel decor Side Low Jøtul F 270 BP
350954 Steel decor Side Low Jøtul F 270 GP



351140 Glass Decor Door c Jøtul F 270 BP
351141 Glass Decor Door c Jøtul F 270 GP

