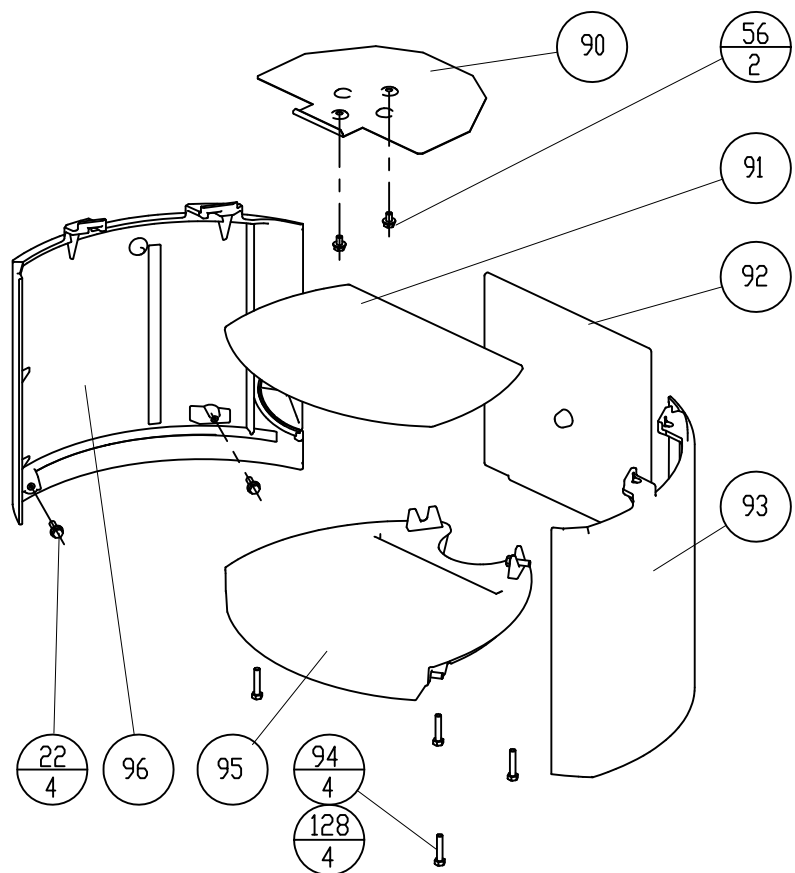
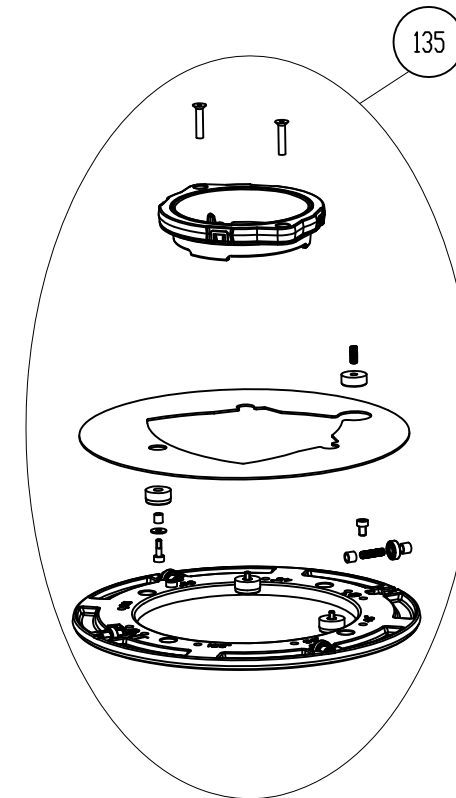
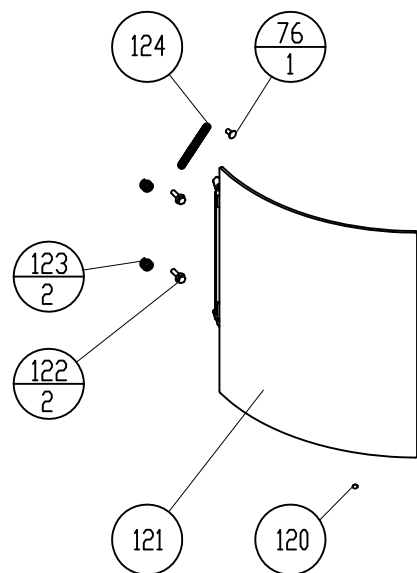


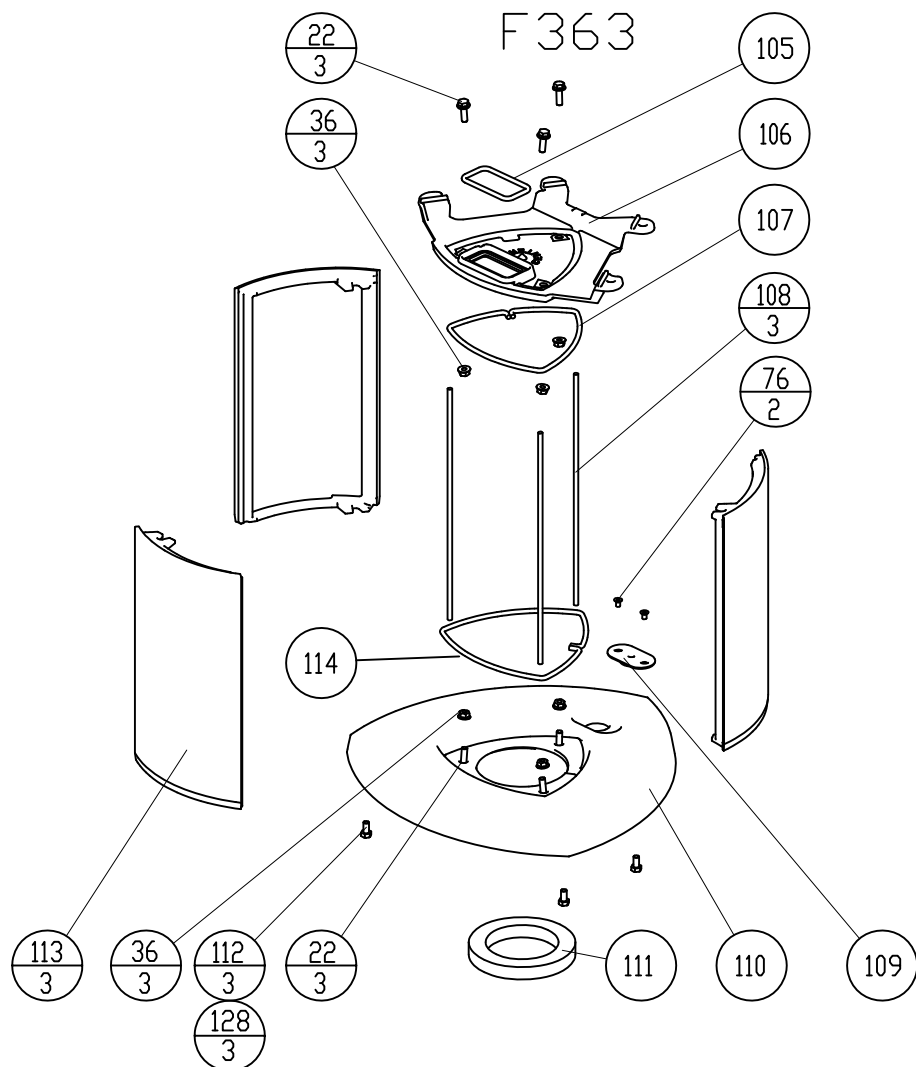
$\frac{XX}{YY}$  - Position number  
 $\frac{XX}{YY}$  - Quantity



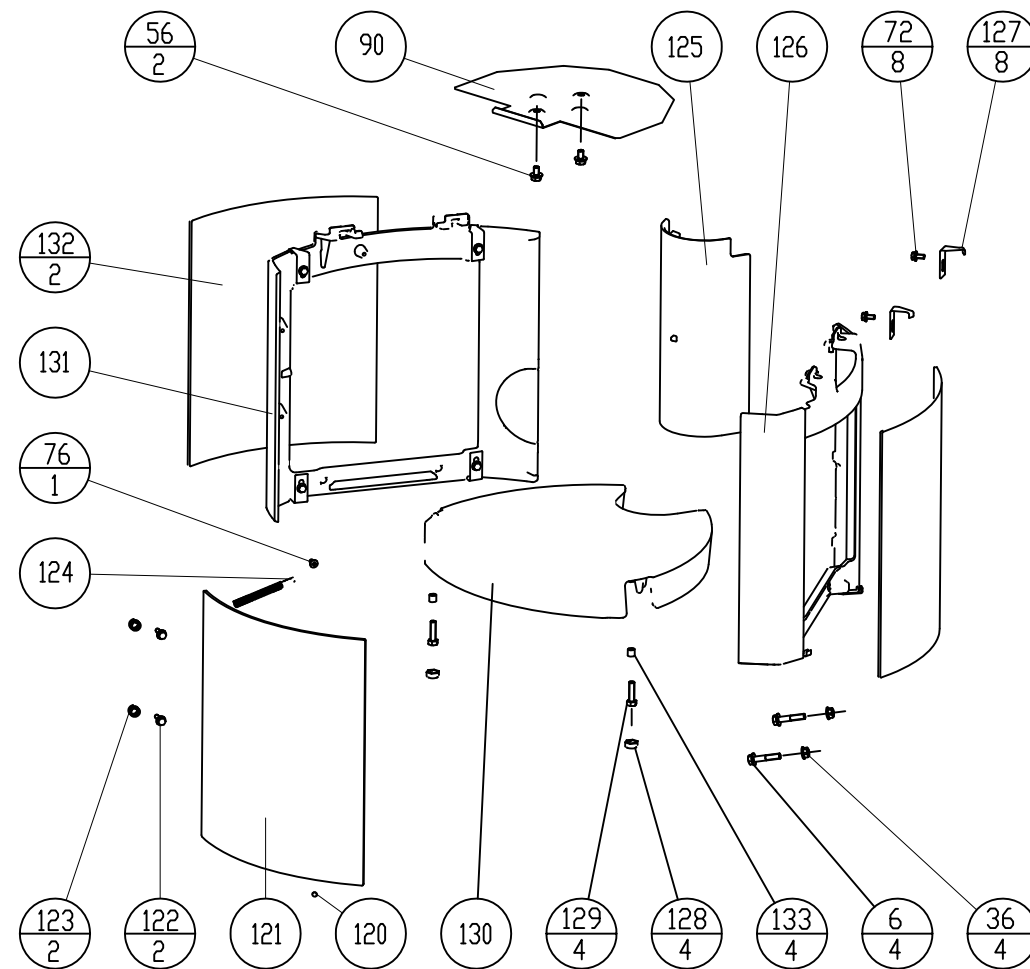
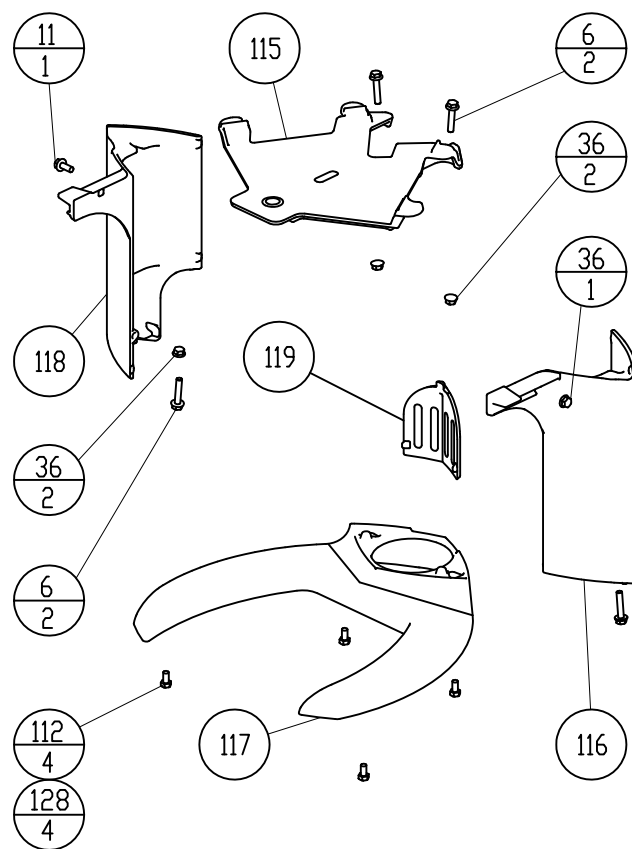
F361/F365



F363

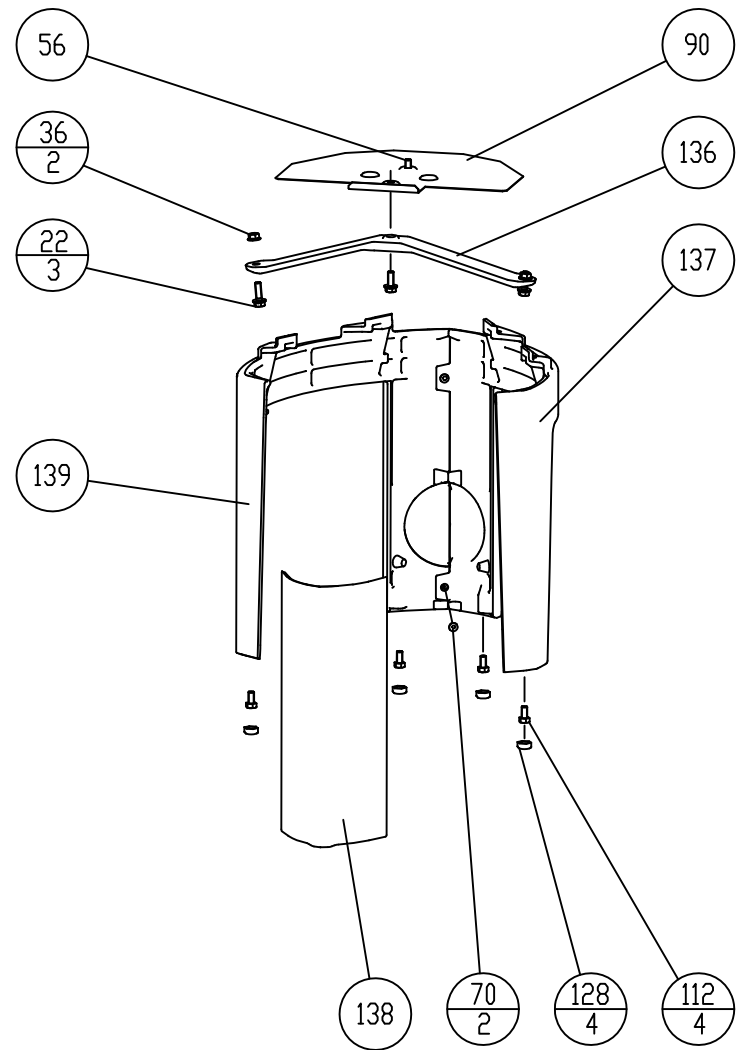


F364

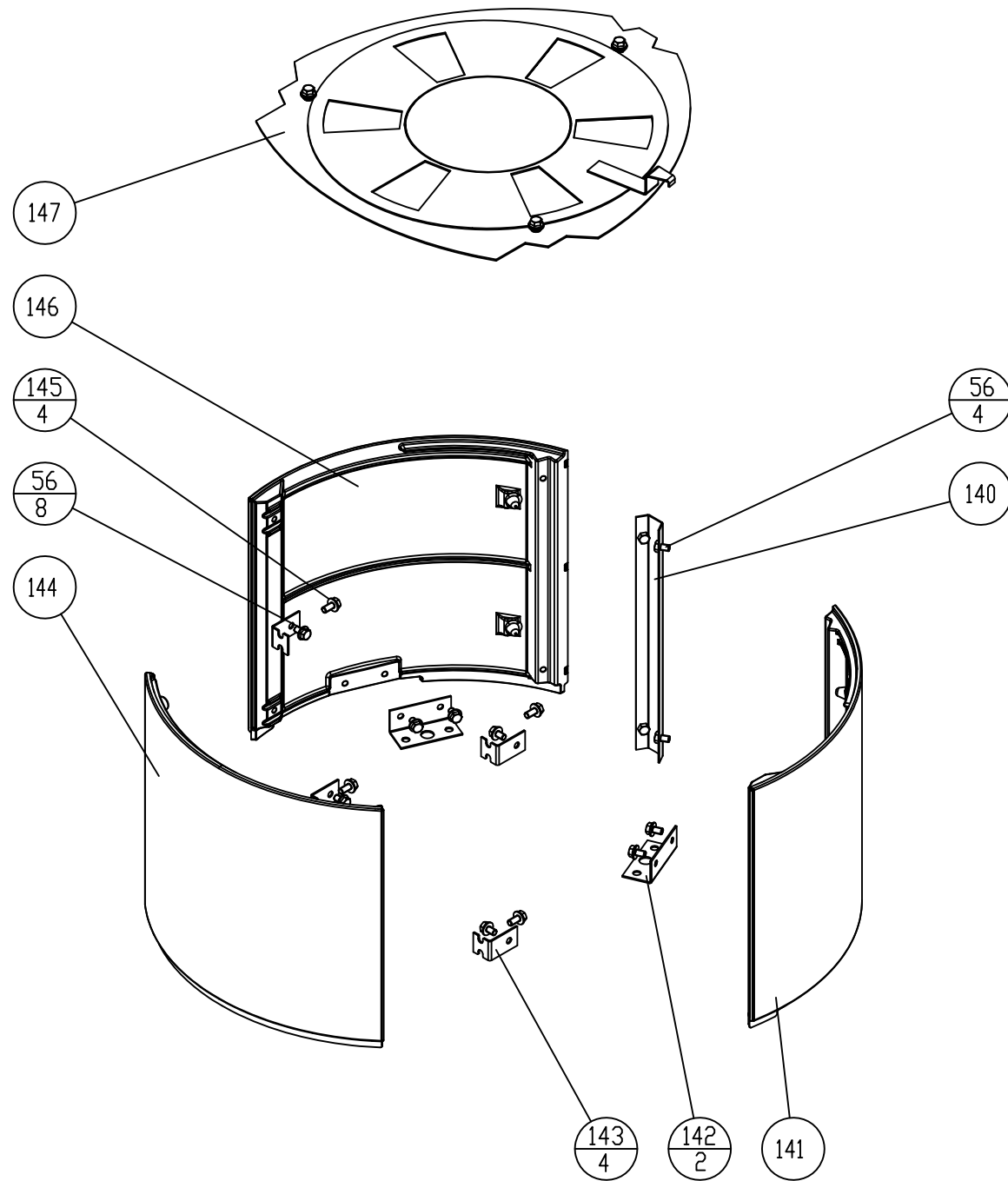


xx — Position number  
yy — Quantity

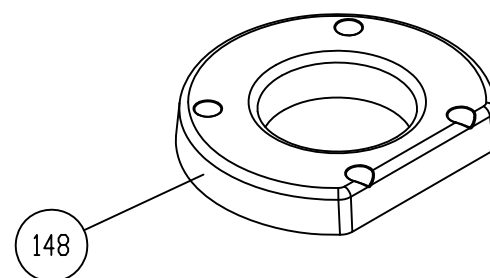
F369



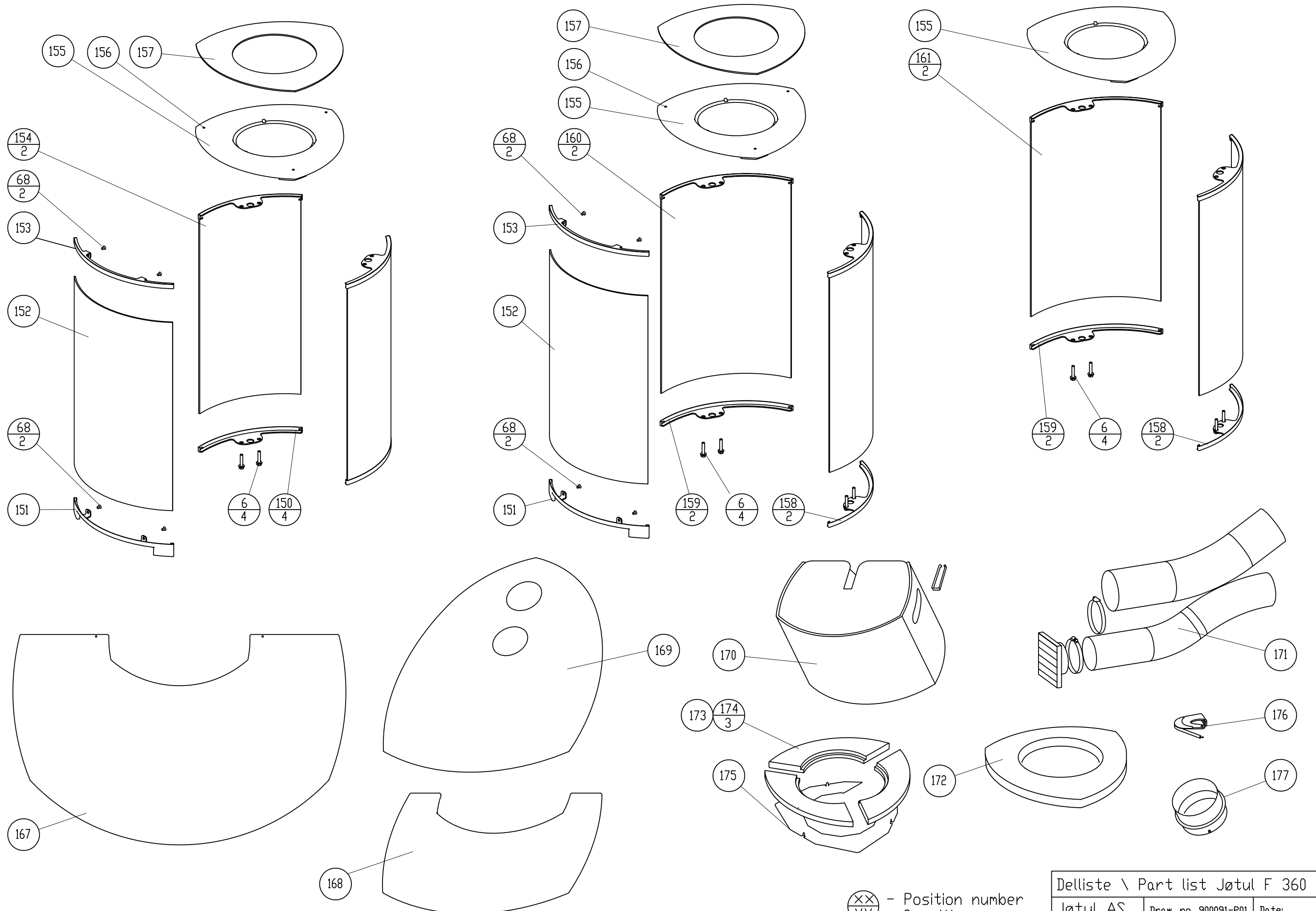
High Top



Heat Accumulating



⊗ - Position number  
 ⊙ - Quantity



(XX) - Position number  
 (YY) - Quantity

Delliste \ Part list Jøtul F 360		
Jøtul AS Fredrikstad Norway	Draw. no. 900091-P01 Sheet: 4/4	Date: Nov. 2010